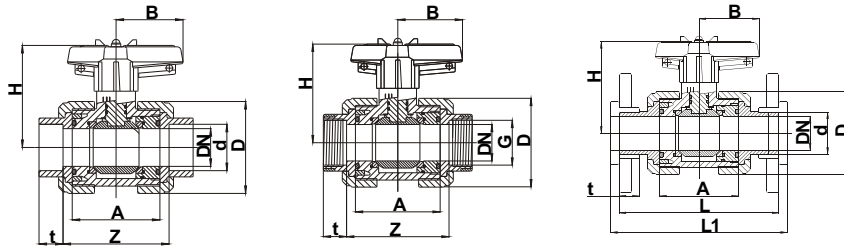


# 2-way ball valve S4 - hand operated PP

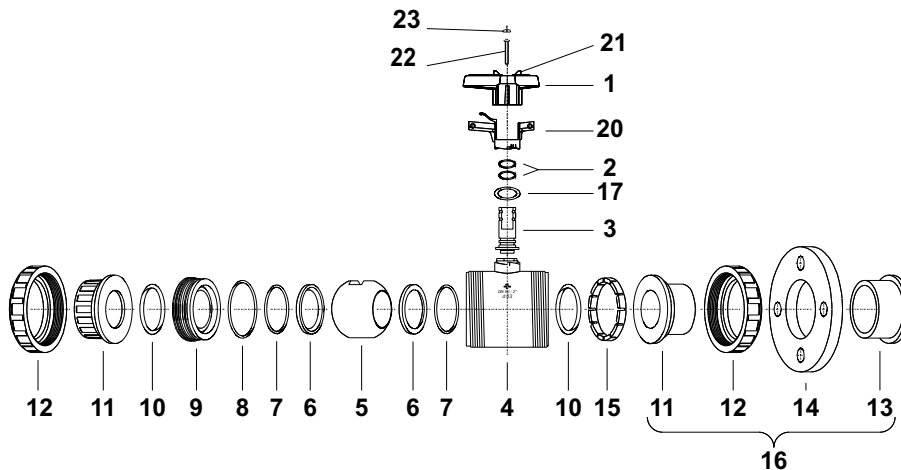
Code: 30

Technical data



|        |       |       |       |       |        |        |       |        |       |       |
|--------|-------|-------|-------|-------|--------|--------|-------|--------|-------|-------|
| d      | 16    | 20    | 25    | 32    | 40     | 50     | 63    | 75     | 90    | 110   |
| DN     | 10    | 15    | 20    | 25    | 32     | 40     | 50    | 65     | 80    | 100   |
| G      | 3/8"  | 1/2"  | 3/4"  | 1"    | 1 1/4" | 1 1/2" | 2"    | 2 1/2" | 3"    | 4"    |
| L      | 114,0 | 124,0 | 144,0 | 154,0 | 174,0  | 194,0  | 224,0 | 284,0  | 300,0 | 340,0 |
| L1     | 120,0 | 130,0 | 150,0 | 160,0 | 180,0  | 200,0  | 230,0 | 290,0  | 310,0 | 350,0 |
| A      | 62,0  | 62,0  | 69,0  | 73,0  | 83,0   | 94,0   | 108,0 | 133,0  | 160,0 | 160,0 |
| Z      | 71,0  | 67,5  | 79,0  | 84,0  | 96,0   | 114,0  | 134,0 | 162,0  | 208,0 | 207,0 |
| t      | 14,5  | 16,0  | 17,0  | 19,5  | 22,0   | 25,0   | 29,0  | 34,5   | 38,5  | 44,0  |
| D      | 52,5  | 52,5  | 62,0  | 69,5  | 84,0   | 100,0  | 120,5 | 155,0  | 187,0 | 187,0 |
| H      | 71,5  | 71,5  | 77,0  | 80,5  | 98,5   | 106,5  | 115,5 | 142,0  | 160,0 | 160,0 |
| B      | 40,0  | 40,0  | 51,5  | 51,5  | 64,0   | 73,0   | 85,0  | 110,0  | 132,0 | 132,0 |
| PN     | 10    | 10    | 10    | 10    | 10     | 10     | 10    | 10     | 6     | 6     |
| Weight | 0,16  | 0,16  | 0,23  | 0,28  | 0,47   | 0,74   | 1,11  | 2,28   | 3,87  | 3,87  |

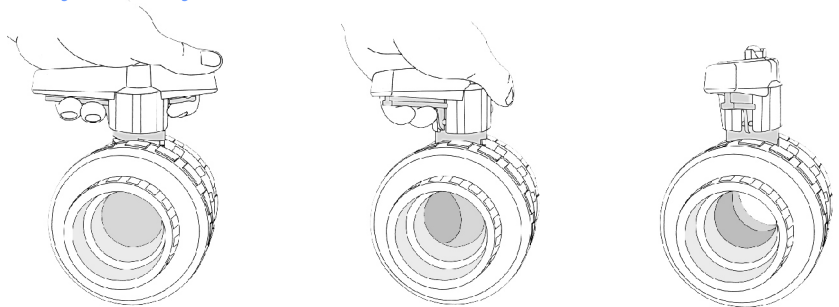
Dimensions in mm!



**Parts:**

- 01. Handle
- 02. O-Ring
- 03. Shaft
- 04. Body
- 05. Ball
- 06. Ball seating joint
- 07. O-Ring
- 08. O-Ring
- 09. Thrust collar
- 10. O-Ring
- 11. Connections
- 12. Union nut
- 13. Flange adaptor
- 14. Flange
- 15. Retaining ring
- 16. Connection set
- 17. O-Ring
- 20. Spring loaded locking sleeve
- 21. Spigot
- 22. Screw
- 23. Cover for screw

**Safety handle system**



**General:**

- Sealing material: EPDM / FPM
- Ball seating joint: PTFE (Teflon®)
- Body material: PVC-u - **PP** - PVDF
- Dimensions: DN 10 / d16 - 3/8" - DN 80 / d110 - 4"

**Operating pressure:**

- DN 10 / 3/8" - DN 65 / 2 1/2" 10 bar
- DN 80 / 3" - DN 80 / 4" 6 bar

**Connections:**

- PP Fusion socket (ASTM, DIN)
- PE, PP Fusion spigot (DIN)
- Threaded socket (BSP, NPT)
- Flange (ANSI, ASA, DIN, JIS)

**Technical specification:**

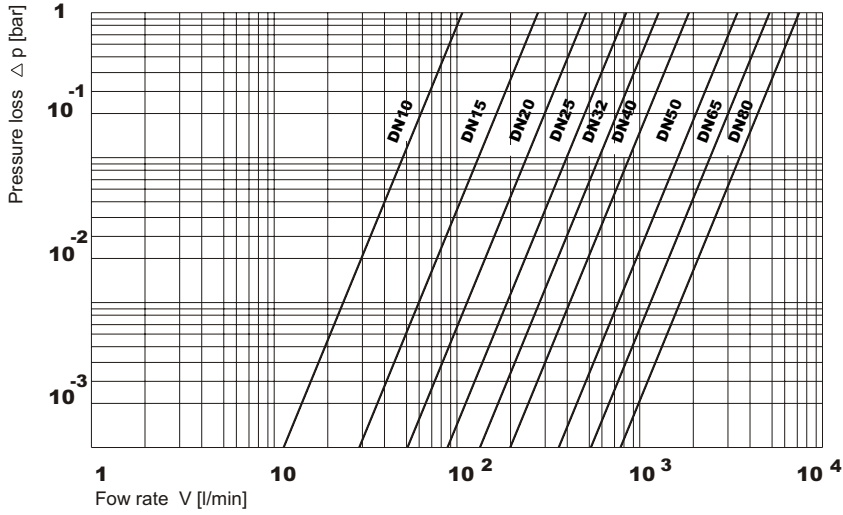
For example:  
 TYPE PRAHER, DIN 3442  
 PP 2-way ball valve S4 DN 10 d 15  
 PP fusion socket ASTM  
 Sealing material EPDM  
 Ball seating joint PTFE (Teflon®)  
 Safety handle system

**Features:**

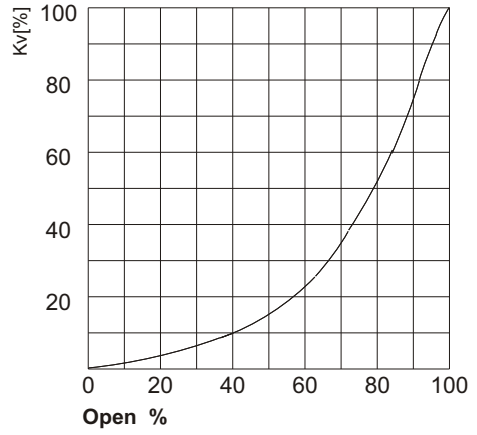
- safety handle system
- radial installation or removal
- ball doublesided blocked
- circulatory independent of direction
- full sectional area of flow (nominal bore)
- floating ball
- ball seating joints in PTFE (Teflon®)

Subjects to technical modification!

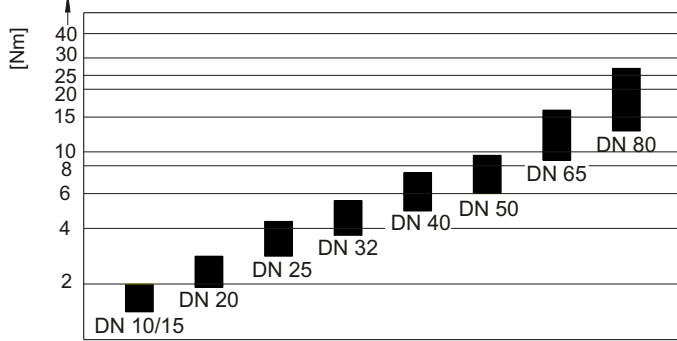
Flow - pressure loss diagram



Flow characteristic



Torque



Pressure - Temperature Diagram

